



**RAPTOR® ROTARY STRAINER SCREEN**  
COMPACT FINE SCREENING SOLUTION

[www.mirolxtec.com](http://www.mirolxtec.com)

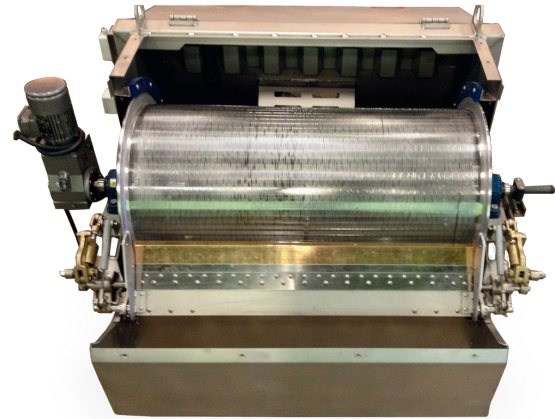
# Raptor® Rotary Strainer Screen

## Compact Fine Screening Solution



### Designed for Performance and Reliability

- Externally fed wedge wire screen cylinder
- Self-contained tank assembly with integral overflow
- Doctor blade assembly with auto cleaner
- Internal spray bar
- Automated controls



### PROVEN SCREENING TECHNOLOGY

#### **Raptor Rotary Strainer Screen**

The *Raptor* Rotary Strainer Screen is an externally fed rotating fine screen in a self-contained tank assembly. The horizontal cylinder is comprised of heavy-duty wedge wire with opening sizes between 0.010 inches to 0.10 inches that covers various applications from municipal wastewater fine screening to industrial processes. Typically used for pumped flow applications, the self-contained design is ideal for elevated structures or concrete slabs where the unit can be connected to piping.

Flow enters through the headbox where it is distributed across the outside length of the screen cylinder. Solids are collected on the exterior of the cylinder as screened influent flows through the cylinder and exits out the bottom of the tank. As the cylinder rotates, the solids are removed from the outside by a self cleaning tensioned doctor blade. The cylinder is also cleaned by an internal spray bar and the backwash effect as the screen flow leaves the cylinder at the bottom. The screen activates automatically by a level device or interlock with the feed pumping system.

**Mirolxtec Equipment *Raptor* Rotary Strainer Screens are made in the USA to our exacting standards for performance you can trust.**

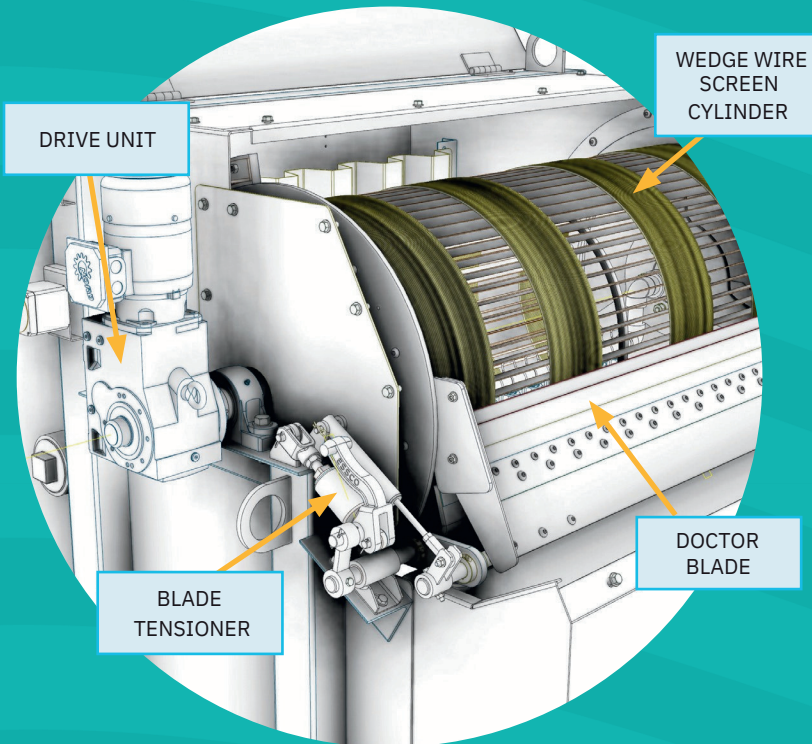


**mirolxtec**  
water treatment

Cleaner Water for a Brighter Future®

# Raptor® Rotary Strainer Screen

Simple Operation and Minimal Maintenance



## ALL STAINLESS STEEL DESIGN

Designed for harsh environments

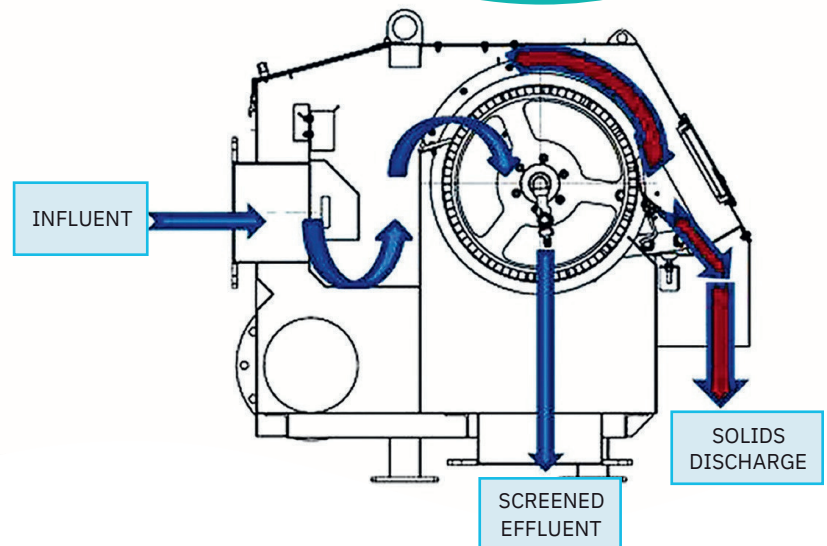
- AISI type 304 (standard)
- AISI type 316 (optional)

## APPLICATIONS

Wide range of versatility

- Municipal wastewater fine screening
- Food processing and winery screening
- Scum and grease removal
- Industrial systems

Speak to one of our experts at **630.837.5640**  
or email us at [sales@lakeside-equipment.com](mailto:sales@lakeside-equipment.com)  
or visit [www.lakeside-equipment.com](http://www.lakeside-equipment.com) for  
more product information.



Phone : +32474050255  
Email : [info@miroloxtec.com](mailto:info@miroloxtec.com)  
Address : Generaal Lemanstraat 55/2 2019 Antwerpen Belgium

[www.miroloxtec.com](http://www.miroloxtec.com)